

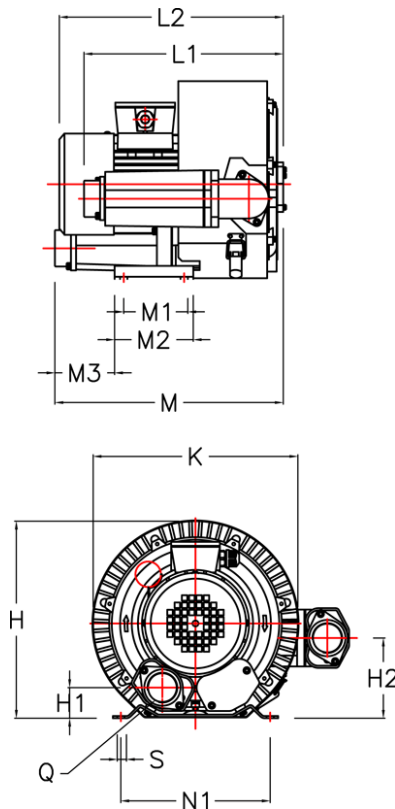
Data Sheet



Article number: 2761647575021

Description: KLEEblower KB6475 7,5/8,6 kW
3x400/690V 50/60Hz double stage

Measures



H = 416.5	M2 = 180
H1 = 98	M3 = 252
H2 = 158	N1 = 290
K = 424	Noise level dB 50/60Hz = 75/79
L1 = 380	Q = 2-PF 2" (NPT 2")
L2 = 618	S = 4 x Ø15
M = 598	
M1 = 140	